

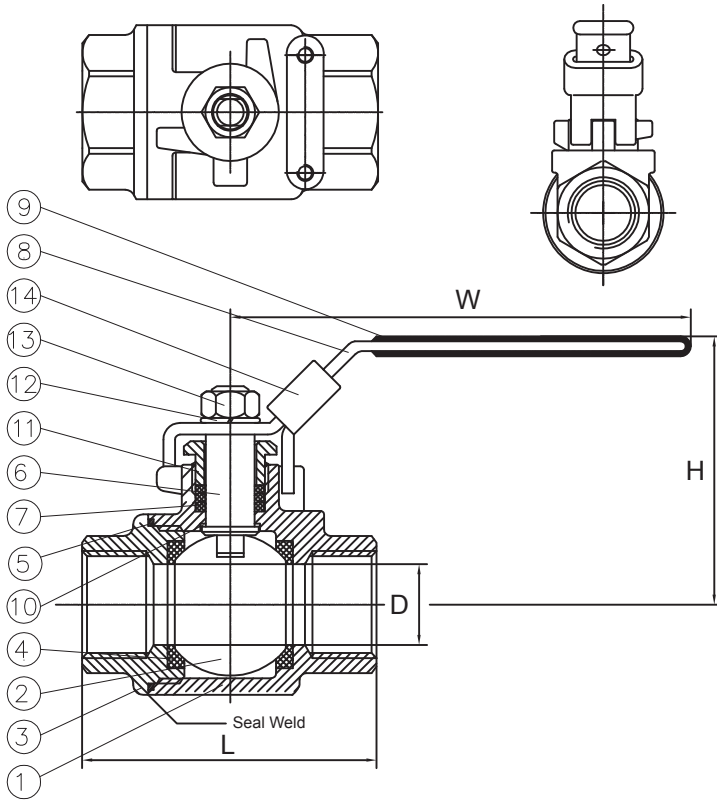


2000PSI 2PCS FP STAINLESS STEEL BALL VALVE

FIG.# 4E-420C8M16RRT-2F

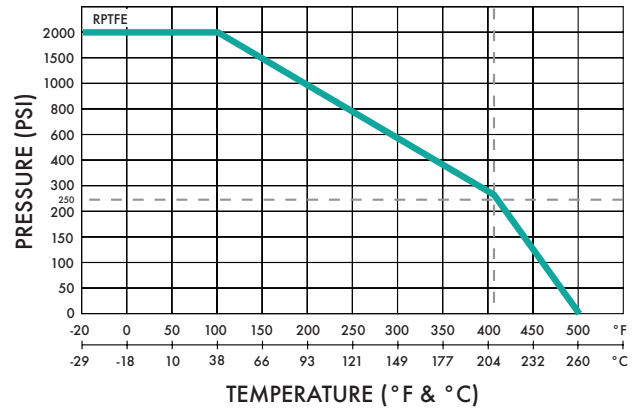
Sizes: 1/4" - 2" @2,000 PSI NSCWP

Seal-Welded available*, 2-piece Body, Full Port
Blowout proof stem, Locking Handle, Nace
NPT Threads Conforms to ANSI B1.20.1, BS21



MATERIAL LIST		
No.	Part Name	Material
1.	Body	A351 CF8M
2.	Ball	SS 316
3.	End Cap	A351 CF8M
4.	Seat	RPTFE
5.	Packing	RPTFE
6.	Stem	SS 316
7.	Stem Seal	None
8.	Handle	SS
9.	Handle Cover	PVC
10.	Thrust Washer	RPTFE
11.	Gland Nut	SS
12.	Handle Washer	SS
13.	Handle Nut	A2-70
14.	Locking Pad	SS

Pressure Temperature Rating



Weights are approximate and construction is subject to change without notice.

DIMENSIONS									
SIZE	unit	1/4"	3/8"	1/2"	3/4"	1"	1-1/4"	1-1/2"	2"
D	mm	11.5	12.5	15.0	20.0	25.0	32.0	38.0	49.0
	inch	0.453	0.492	0.591	0.787	0.984	1.260	1.496	1.929
L	mm	62.0	62.0	64.0	72.0	90.0	102.0	115.0	135.0
	inch	2.441	2.441	2.520	2.835	3.543	4.016	4.528	5.315
H	mm	53.0	56.0	62.0	65.0	72.0	77.0	94.0	101.0
	inch	2.087	2.205	2.441	2.559	2.835	3.031	3.701	3.976
W	mm	95.0	107.0	101.0	119.0	145.0	148.0	160.0	180.
	inch	3.740	4.213	3.976	4.685	5.709	5.827	6.299	7.087
Weight	kg.	0.33	0.32	0.37	0.55	0.92	1.40	2.17	3.68
	lbs.	0.728	0.705	0.816	1.221	2.03	3.086	4.784	8.116
Torque	N-m	4.00	6.00	8.00	14.00	24.00	32.00	40.00	60.00

