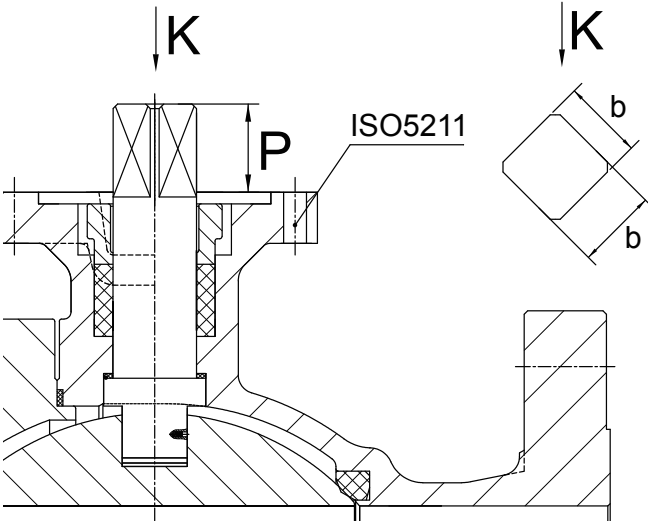
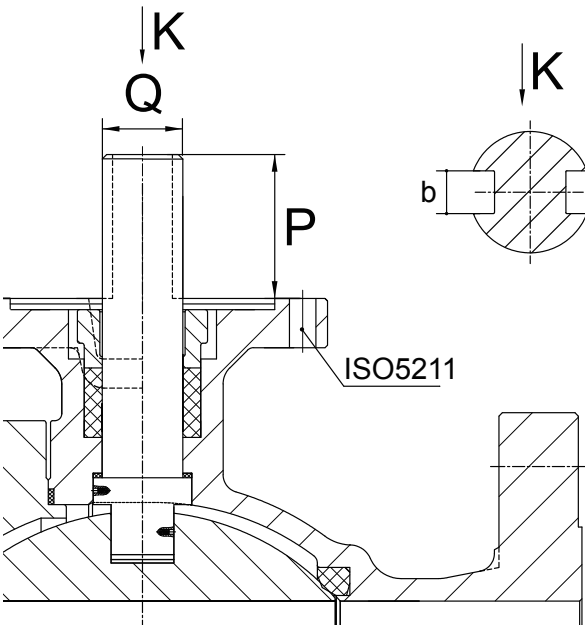


Drawing f and e



Drawing f

ANSI CLASS 150								
size	unit	2"	2-1/2"	3"	4"	6"	8"	10"
b	inch	0.55	0.71	0.75	0.87	1.06	0.39	0.47
	mm	14	18	19	22	27	10	12
P	inch	0.87	0.98	0.98	1.02	1.57	2.56	2.95
	mm	22	25	25	26	40	65	75
Q	inch	n/a					1.42	1.65
	mm	n/a					36	42
ISO 5211		F07	F10	F10	F10	F14	F14	F16
Drawing #		f	f	f	f	f	e	e



Drawing e

ANSI CLASS 300							
size	unit	2"	2-1/2"	3"	4"	6"	8"
b	inch	0.71	0.87	0.87	0.98	1.06	0.47
	mm	18	22	22	25	27	12
P	inch	0.98	1.02	1.02	1.57	1.57	2.95
	mm	25	26	26	40	40	75
Q	inch	n/a					1.65
	mm	n/a					42
ISO 5211		F10	F10	F10	F12	F14	F16
Drawing #		f	f	f	f	f	e