



200 PSI LUG STYLE BUTTERFLY VALVE, Page 1/2

FIG.# 4E-LT200-B (Buna Seat); 4E-LT200-V (Viton Seat);

Pressure: 200 psi; ANSI Class 125/150 Capable;
Stocking Sizes: 2" - 12"
Back Order Sizes: 14" - 36"

Testing Pressure	Hydrostatic	Shell	Seal
		2" - 12": 300 psi	2" - 12": 220 psi
		14" - 24": 225 psi	14" - 24": 165 psi
	30" - 36": 150 psi	30" - 36": 110 psi	
Standard	Inspection & Test		API 598
	End Standard		ANSI B16.5 CL150
	Design		API 609

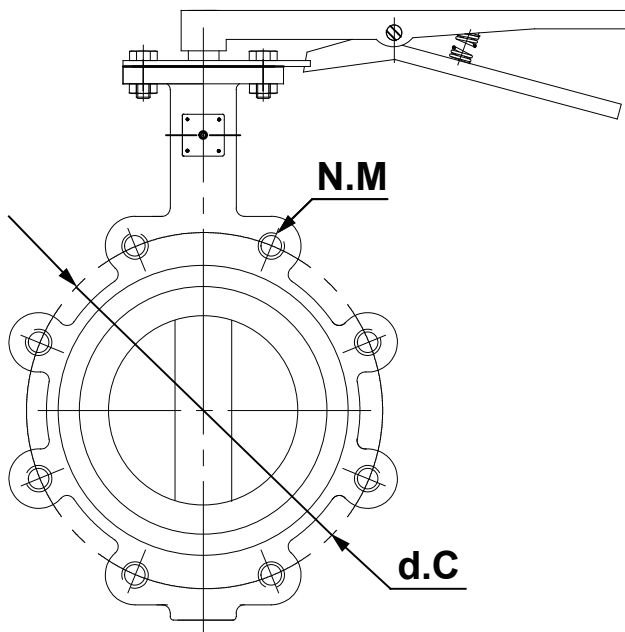
Features

Long neck; Pinless Disk; Ductile Iron body with Epoxy Coating;
 Seat material available in Buna, Viton or EPDM
 Double D Shaft Stem Style;
 Operational Style: Lever and Gear Operator (10" and up)

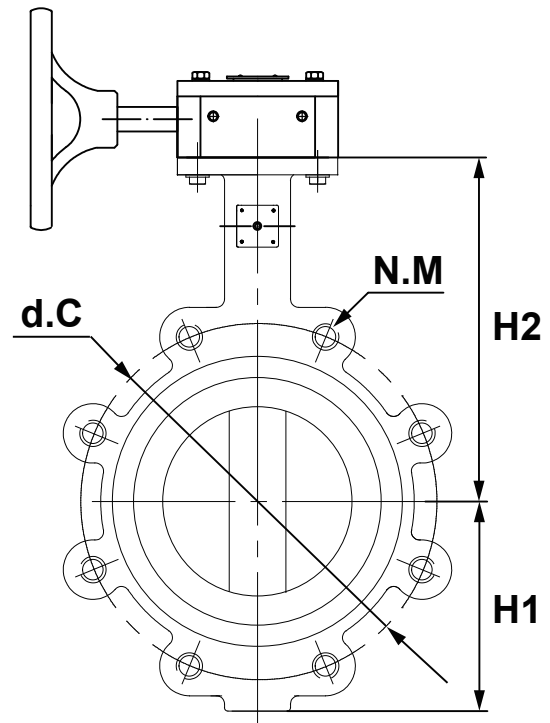
MATERIAL LIST		
No.	Part Name	Material
1.	Body	Ductile Iron
2.	Disc	Ductile Iron (Nickel Plated) CF8M
3.	Seat	BUNA- N Viton
4.	Stem	Double D Style SS 410
5.	Bushing	PTFE
6.	O - Ring	BUNA- N Viton



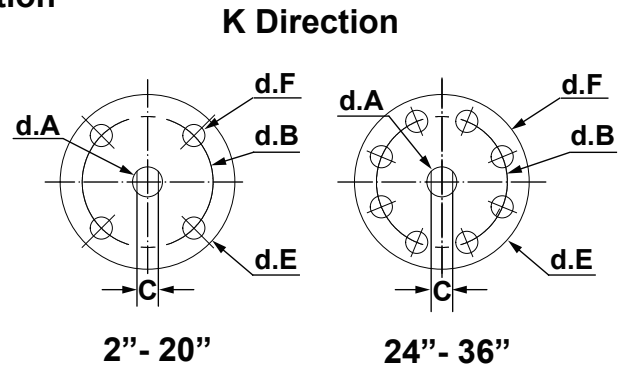
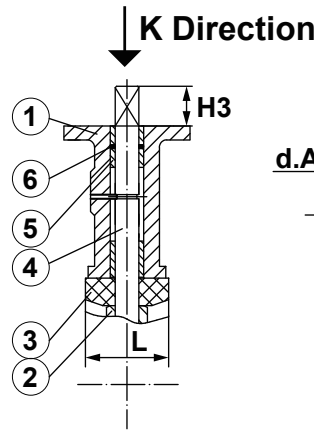
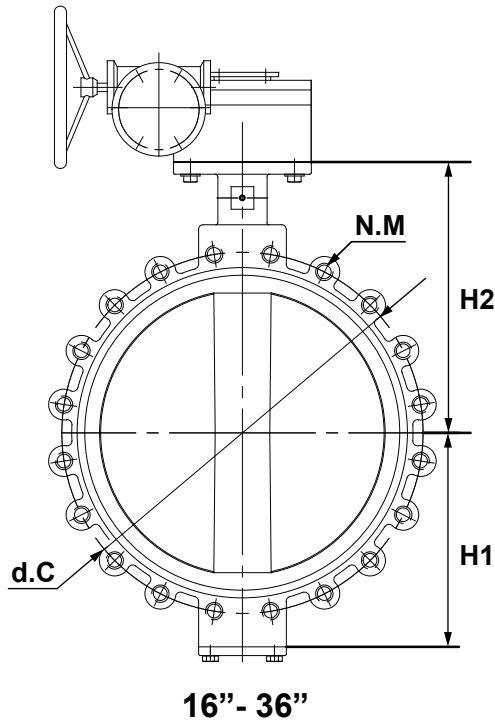
NOTE: 1. Lever and Gear Operator must be specified at the point of order.
 2. Due to the continuous development of our products, there may be short-term difference between our actual product specifications and the information shown on our cutsheet.



2" - 12"



14"



NOTE: 3. 'd.' is the abbreviation for diameter.
 4. Dimension 'N' is applicable to Lug Style Valves. Dimension 'M' is unified Inch Screw Thread, coarse pitch series (UNC) per ANSI B1.1.
 5. Dimensions and weights are for reference only. Weights 14" - 36" include gear operator.

DIMENSIONS & WEIGHT

SIZE	unit	2"	2-1/2"	3"	4"	5"	6"	8"	10"	12"	14"	16"	18"	20"	24"	30"	36"	
H1	inch	2.992	3.153	3.74	4.488	5	5.512	6.811	7.992	9.331	11.024	11.969	14.252	14.485	17.48	23.701	23.74	
	mm	76	80	95	114	127	140	173	203	237	280	304	362	368	444	602	603	
H2	inch	6.378	6.89	7.126	7.874	8.386	8.858	10.236	11.496	13.268	14.488	15.748	16.732	18.898	22.126	25.512	26.85	
	mm	162	175	181	200	213	225	260	292	337	368	400	425	480	562	648	682	
H3	inch	1.181	1.181	1.181	1.181	1.181	1.181	1.417	1.417	1.417	1.772	2.008	2.008	2.52	2.756	2.835	3.031	
	mm	30	30	30	30	30	30	36	36	36	45	51	51	64	70	72	77	
L	inch	1.811	1.929	1.929	2.165	2.303	2.323	2.52	2.815	3.189	3.13	3.543	4.291	5.315	6.181	6.811	8.307	
	mm	46	49	49	55	58.5	59	64	71.5	81	79.5	90	109	135	157	173	211	
d.A	inch	0.5	0.5	0.5	0.622	0.75	0.75	0.874	1.126	1.252	1.252	1.311	1.496	1.62	1.994	2.494	2.923	
	mm	12.7	12.7	12.7	15.8	19.05	19.05	22.2	28.6	31.8	31.8	33.3	38	41.15	50.65	63.35	74.25	
ANSI B16.5	d.C	inch	4.744	5.492	6.004	7.5	8.504	9.508	11.752	14.252	17.008	18.74	21.24	22.756	25	29.508	36.004	42.756
		mm	120.5	139.5	152.5	190.5	216	241.5	298.5	362	432	476	539.5	578	635	749.5	914.5	1086
	N	Qty	4	4	4	8	8	8	8	12	12	12	16	16	20	20	28	32
M	UNC	5/8"-11	5/8"-11	5/8"-11	5/8"-11	3/4"-10	3/4"-10	3/4"-10	7/8"-9	7/8"-9	1"-8	1"-8	1-1/8"-7	1-1/8"-7	1-1/4"-7	1-1/4"-7	1-1/2"-6	
d.E	inch	3.543	3.543	3.543	3.543	3.543	3.543	4.921	4.921	5.906	5.906	8.268	8.268	8.268	11.811	11.811	11.811	
	mm	90	90	90	90	90	90	125	125	150	150	210	210	210	300	300	300	
d.B	inch	2.756	2.756	2.756	2.756	2.756	2.756	4.016	4.016	4.921	4.921	6.496	6.496	6.496	10	10	10	
	mm	70	70	70	70	70	70	102	102	125	125	165	165	165	254	254	254	
d.F	inch	0.354	0.354	0.354	0.354	0.354	0.354	0.433	0.433	0.512	0.512	0.866	0.866	0.866	0.709	0.709	0.709	
	mm	9	9	9	9	9	9	11	11	13	13	22	22	22	18	18	18	
C	inch	0.394	0.394	0.394	0.472	0.551	0.551	0.669	0.866	0.945	0.945	1.063	1.063	1.26	1.417	1.752	2.047	
	mm	10	10	10	12	14	14	17	22	24	24	27	27	32	36	44.5	52	
Weight	lbs.	8.07	9.83	10.58	15.92	20.68	23.74	36.00	57.32	84.11	136.69	242.51	302.03	429.90	716.50	1005.3	1790.2	
	kgs.	3.66	4.46	4.8	7.22	9.38	10.77	16.33	26	38.15	62	110	137	195	325	456	812	
Torque	N-m	20	28	38	71	115	170	330	510	660	820	1400	1200	2100	2800	3900	5800	