



Cast Steel - Gate Globe Check - Index

4E VALVE API WCB Cast Steel Gate Valves, CLASS 150 - 600



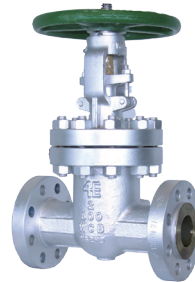
150# GATE VALVE

IS 2"- 24" | BO 26"- 42"



300# GATE VALVE

IS 2"- 16" | BO 18"- 36"



600# GATE VALVE

IS 2"- 12" | BO 14"- 24"



150# NRS GATE VALVE

IS 2"- 12"

4E VALVE API WCB Cast Steel Globe Valves, CLASS 150 - 600



150# GLOBE VALVE

IS 2"- 12" | BO 18"- 24"



300# GLOBE VALVE

IS 2"- 12" | BO 14"- 18"



600# GLOBE VALVE

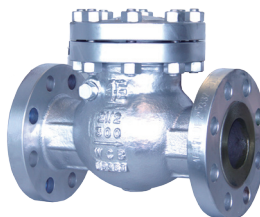
IS 2"- 8" | BO 10"- 16"

4E VALVE API WCB Cast Steel Check Valves, CLASS 150 - 600



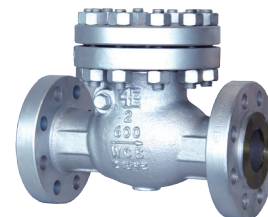
150# CHECK VALVE

IS 2"- 16" | BO 18"- 30"



300# CHECK VALVE

IS 2"- 12" | BO 14"- 30"



600# CHECK VALVE

IS 2"- 10" | BO 12"- 24"

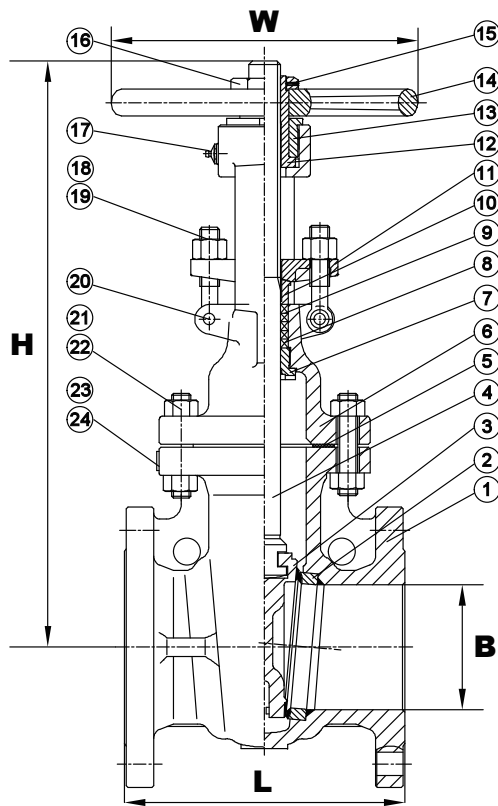
IS - IN STOCK
BO - BACK ORDER

Class 150 OS&Y Gate Valve



FIG.# 11WCB8F

OS & Y, Rising Stem, Flexible Wedge, Bolted Bonnet
Threaded or Welded Seat Ring, ASTM A216 WCB

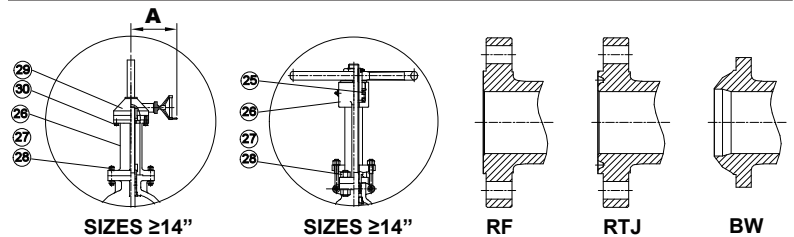


STANDARDS COMPLIANCE:

Basic Design	API 600
Face to Face Dimensions	ANSI B 16.10
End Flange Dimensions	2" to 24"h ASME B16.5 ≥26" to ASME B16.47-A&B ASME B16.25
Test Standard	API 598

MATERIAL LIST

No.	Part Name	ASTM Specification (Specs-Grades/Types)				
		A216 (STOCKING) WCB	A352 LCC	A217 WC6	A217 C5	A351 CF8M
1.	Body	A216 WCB	A352 LCC	A217 WC6	A217 C5	A351 CF8M
2.	Seat Ring	A105	A350 LF2, A182 F11, A182 F5, A182 F304 or A182 F316			
	" Surface	HF (STL.6/CoCr-A)	13CR(ER410), 304, 316 or Monel			
3.	Wedges	A216 WCB	A352 LCC	A217 WC6	A217 C5	A351 CF8M
	" Seating Surface	13CR(ER410)	HF (STL.6/CoCr-A), 304, 316 or Monel			
4.	Stem	A182 F6a	A182 F304, A182 F316, 17-4PH or Monel			
5.	Gasket	08F+Flexible Graphite	F304 or F316			
6.	Bonnet	A216 WCB	A352 LCC	A217 WC6	A217 C5	A351 CF8M
7.	Back Seat	A276 410	A182 F304, A182 F316 or Monel			
8.	Packing	F304+Graphite+C.I.				
9.	Packing	Flexible Graphite+C.I.				
10.	Gland	A276 410	A182 F304, A182 F316 or Monel			
11.	Gland Flange	A216 WCB	A352 LCC	A217 WC6	A217 C5	A351 CF8M
12.	Stem Nut	A439-D2				
13.	Gland Nut	CARBON STEEL	A276 Tye 316			
14.	Handwheel	DUCTILE IRON				
15.	Screw	CARBON STEEL	316			
16.	Lock Nut	CARBON STEEL	A276 Type 316			
17.	Grease Nipple	CARBON STEEL	A182 F316			
18.	Eye Bolt	A193 B7	A320 L7	A193 B16	A193 B16	A193 B8
19.	Eye Nut	A194 2H	A194 2H	A194 4	A194 4	A194 8
20.	Pin	CARBON STEEL	A276 Type 316			
21.	Bolt	A193 B7	A320 L7	A193 B16	A193 B16	A193 B8
22.	Nut	A194 2H	A194 2H	A194 4	A194 4	A194 8
23.	Rivet	AISI 304				
24.	Name Plate	AISI 304				
25.	Axietree	CARBON STEEL				
26.	Yoke	A216 WCB	A352 LCC	A217 WC6	A217 C5	A351 CF8M
27.	Yoke Bolt	A193 B7	A320 L7	A193 B16	A193 B16	A193 B8
28.	Yoke Nut	A194 2H	A194 4	A194 4	A194 4	A194 8
29.	Gear Box	CARBON STEEL				
30.	Hex Bolt	CARBON STEEL	316			



*GEAR OPERATOR RECOMMENDED.

Weights are approximate and construction is subject to change without notice.

DIMENSION & WEIGHT

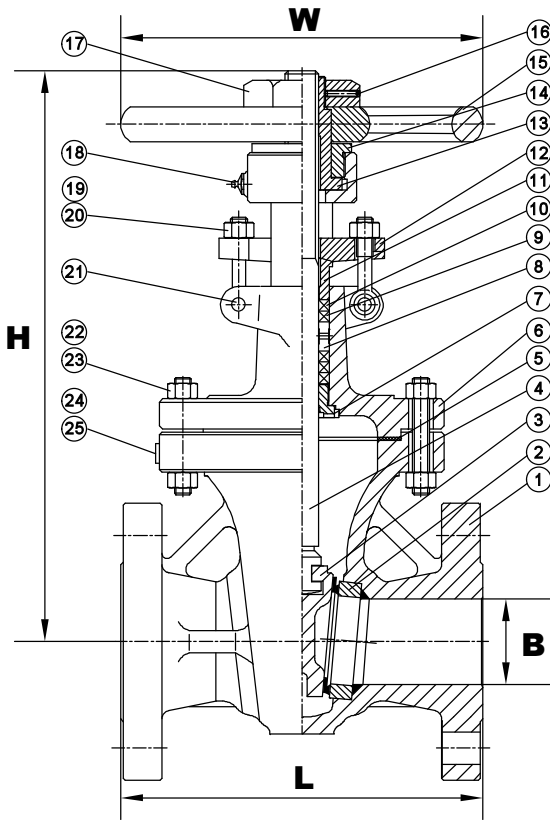
SIZE	unit	2"	2-2/1"	3"	4"	5"	6"	8"	10"	12"	14"	16"	18"	20"	24"	26"	28"	30"	32"	34"	36"	42"
L(RF)	inch	7	7.5	8	9	10	10.5	11.5	13	14	15	16	17	18	20	22	24	24	26	28	28	31
	mm	178	190	203	229	254	267	292	330	356	381	406	432	457	508	559	610	610	660	711	711	787.4
L(RTJ)	inch	7.5	8	8.5	9.5	10.5	11	12	13.5	15.5	16.5	17.5	18.5	20.5	-	-	-	-	-	-	-	-
	mm	191	203	216	241	267	279	305	343	368	394	419	445	470	521	-	-	-	-	-	-	-
L(BW)	inch	8.5	9.5	11.12	12	15	15.88	16.5	18	19.75	22.5	24	26	28	32	34	36	36	38	40	40	-
	mm	216	241	283	305	381	403	419	457	502	572	610	660	711	813	864	914	914	965	1016	1016	-
A	inch	-	-	-	12.2	-	12.2	12.2	12.2	13.58	13.58	13.58	16.54	16.54	19.88	19.88	19.88	19.88	19.88	19.88	24.02	24.02
	mm	-	-	-	310	-	310	310	310	345	345	345	420	420	420	505	505	505	505	505	610	610
B	inch	2	2.52	3	4	5	6	8	10	12	13.25	15.25	17.24	19.25	23.25	25.31	27.25	29.25	30.75	32.75	34.49	40.24
	mm	51	64	76	102	127	152	203	254	305	337	387	438	489	591	643	692	743	781	832	876	1022
H	inch	13	14.02	15.75	18.7	21.3	23.43	29.02	34.53	40.08	45.71	50.47	56.93	63.11	73.35	80	87.99	90.63	98.35	102.62	107.68	131.02
	mm	330	356	400	475	541	595	737	877	1018	1161	1282	1446	1603	1863	2032	2235	2302	2498	2594	2735	3328
W	inch	7.87	9.84	9.84	9.84	11.81	11.81	13.78	15.75	17.72	19.69	22.05	25.2	25.2	28.35	27.95	27.95	27.95	27.95	27.95	31.5	31.5
	mm	200	250	250	250	300	300	350	400	450	500	560	640	640	720	710*	710*	710*	710*	710*	800*	800*
WT.	KG	18	27	34	50	64	78	122	180	260	383	503	600	748	1129	1610	1750	1958	2840	3100	3305	5400
	LB	40	60	75	110	141	171	269	397	573	844	1108	1322	1649	2489	3550	3858	4317	6261	6834	7288	11905



Class 300 Cast Steel OS&Y Gate Valve

FIG.# 4E-13WCB8F

OS & Y, Rising Stem, Flexible Wedge, Bolted Bonnet
Threaded or Welded Seat Ring, ASTM A216 WCB

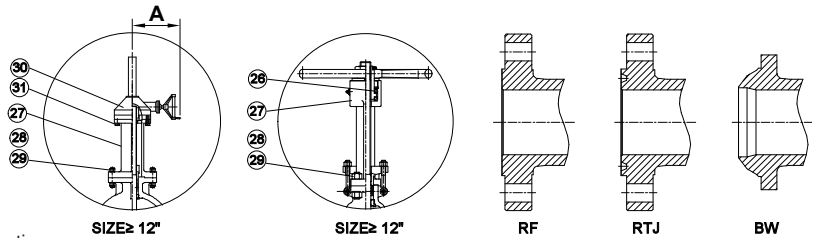


STANDARDS COMPLIANCE:

Basic Design	API 600
Face to Face Dimensions	ANSI B 16.10
End Flange Dimensions	2" to 24" to ASME B16.5 ≥26" to ASME B16.47-A&B ASME B16.25
Test Standard	API 598

MATERIAL LIST

No.	Part Name	ASTM Specification (Specs-Grades/Types)				
		A216 (STOCKING) WCB	A352 LCC	A217 WC6	A217 C5	A351 CF8M
1.	Body	A216 WCB	A352 LCC	A217 WC6	A217 C5	A351 CF8M
2.	Seat Ring	A105	A350 LF2, A182 F11, A182 F5, A182 F304 or A182 F316			
	" Surface	HF (STL.6/CoCr-A)	13CR(ER410), 304, 316 or Monel			
3.	Wedges	A216 WCB	A352 LCC	A217 WC6	A217 C5	A351 CF8M
	" Seating Surface	13CR(ER410)	HF (STL.6/CoCr-A), 304, 316 or Monel			
4.	Stem	A182 F6a	A182 F304, A182 F316, 17-4PH or Monel			
5.	Gasket	08F+Flexible Graphite F304 or F316				
6.	Bonnet	A216 WCB	A352 LCC	A217 WC6	A217 C5	A351 CF8M
7.	Back Seat	A276 410	A182 F304, A182 F316 or Monel			
8.	Distance Ring	A276 410	A182 F304, A182 F316 or Monel			
9.	Packing	F304+Graphite+C.I.				
10.	Packing	Flexible Graphite+C.I.				
11.	Gland	A276 410	A182 F304, A182 F316 or Monel			
12.	Gland Flange	A216 WCB	A352 LCC	A217 WC6	A217 C5	A351 CF8M
13.	Stem Nut	A439-D2				
14.	Gland Nut	CARBON STEEL		A276 Type 316		
15.	Handwheel	DUCTILE IRON				
16.	Screw	CARBON STEEL		316		
17.	Lock Nut	CARBON STEEL		A276 Type 316		
18.	Grease Nipple	CARBON STEEL A182 F316				
19.	Eye Bolt	A193 B7	A320 L7	A193 B16	A193 B16	A193 B8
20.	Eye Nut	A194 2H	A194 2H	A194 4	A194 4	A194 8
21.	Pin	CARBON STEEL A276 Type 316				
22.	Bolt	A193 B7	A320 L7	A193 B16	A193 B16	A193 B8
23.	Nut	A194 2H	A194 2H	A194 4	A194 4	A194 8
24.	Rivet	AISI 304				
25.	Name Plate	AISI 304				
26.	Axietree	CARBON STEEL				
27.	Yoke	A216 WCB	A352 LCC	A217 WC6	A217 C5	A351 CF8M
28.	Yoke Bolt	A193 B7	A320 L7	A193 B16	A193 B16	A193 B8
29.	Yoke Nut	A194 2H	A194 4	A194 4	A194 4	A194 8
30.	Gear Box	CARBON STEEL				
31.	Hex Bolt	CARBON STEEL		316		



*GEAR OPERATOR RECOMMENDED.

Weights are approximate and construction is subject to change without notice.

DIMENSION & WEIGHT

SIZE	unit	2"	2-1/2"	3"	4"	5"	6"	8"	10"	12"	14"	16"	18"	20"	24"	26"	28"	30"	36"
L(RF-BW)	inch	8.5	9.5	11.12	12	15	15.88	16.5	18	19.75	30	33	36	39	45	49	53	55	68
	mm	216	241	283	305	381	403	419	457.2	502	762	838	914	991	1143	1244.6	1346.2	1397	1727
L(RTJ)	inch	9.12	10.12	11.74	12.62	15.62	16.50	17.12	18.62	20.37	30.62	33.62	36.62	39.75	45.88	-	-	-	-
	mm	232	257	298	321	397	419	435	473	518	778	854	90	1010	1165	-	-	-	-
A	inch	-	-	-	12.2	-	12.2	12.2	13.58	13.58	13.58	16.54	16.54	16.54	19.88	19.88	24.02	24.02	24.02
	mm	-	-	-	310	-	310	310	345	345	345	420	420	420	505	505	610	610	610
B	inch	2	2.52	3	4	5	6	8	10	12	13.25	15.25	17.00	19.02	25	27	27.25	29	34.49
	mm	51	64	76	102	127	152	203	254	305	337	387	432	483	635	686	692	736.6	876
H	inch	14.06	14.8	17.32	19.84	22.13	25.87	30.59	36.3	42.48	46.61	52.24	59.57	64.29	75.43	82.68	92.05	102.56	110.04
	mm	357	376	440	504	562	657	777	922	1079	1184	1327	1513	1633	1916	2100	2338	2605	2795
W	inch	7.87	9.84	9.84	11.81	11.81	13.78	15.75	17.72	19.69	22.05	25.2	25.2	28.35	28.35	27.95	31.5	31.5	31.5
	mm	200	250	250	300	300	350	400	450	500	560	640	640	720	720	710*	800*	800*	800*
WT.	KG	26	36	50	70	97	144	208	296	466	762	909	1186	1498	2497	3200	3450	4200	6050
	LB	57	79	110	154	214	318	458	652	1028	1680	2004	2615	3298	5505	7055	7606	9260	13338

Class 600 OS&Y Gate Valve

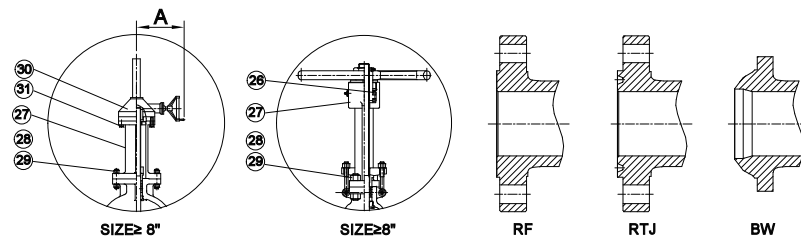
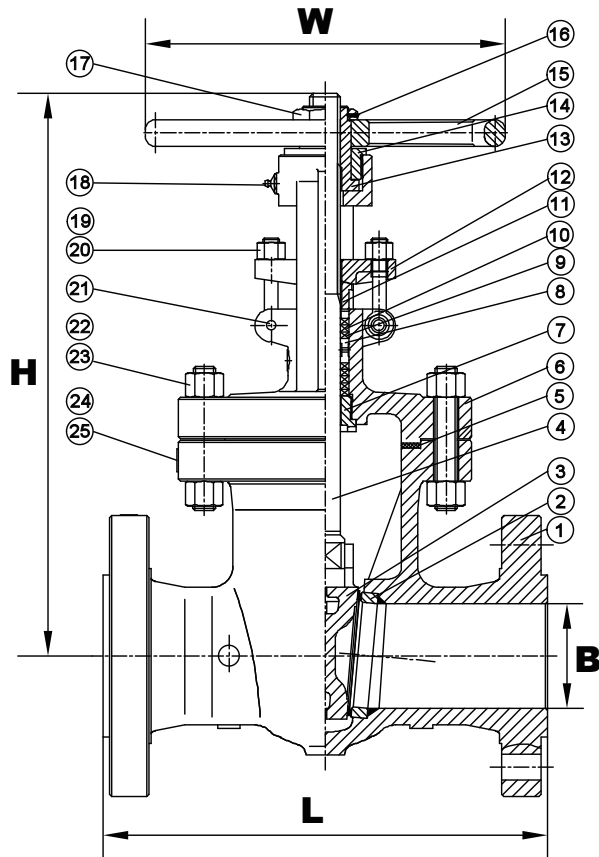


FIG.# 16WCB8F

OS & Y, Rising Stem, Flexible Wedge, Bolted Bonnet
Threaded or Welded Seat Ring, ASTM A216 WCB

STANDARDS COMPLIANCE:

Basic Design	API 600
Face to Face Dimensions	ANSI B 16.10
End Flange Dimensions	ASME B16.5 ASME B16.25
Test Standard	API 598



*GEAR OPERATOR
RECOMMENDED.

Weights are approximate and
construction is subject to change
without notice.

		DIMENSION & WEIGHT															
SIZE	unit	2"	2-2/1"	3"	4"	5"	6"	8"	10"	12"	14"	16"	18"	20"	24"		
L(RF-BW)	inch	11.5	13	14	17	20	22	26	31	33	35	39	43	47	55		
	mm	292	330	356	432	508	559	660	787.4	838	889	991	1092	1194	1397		
L(RTJ)	inch	11.62	13.11	14.12	17.12	20.12	22.12	16.14	31.14	33.11	35.12	39.13	43.11	47.25	55.35		
	mm	295	333	359	435	511	562	664	791	841	892	994	1095	1200	1406		
A	inch	-	-	-	12.2	-	13.58	13.58	16.54	16.54	19.88	19.88	19.88	19.88	24.02		
	mm	-	-	-	310	-	345	345	420	420	505	505	505	505	610		
B	inch	2	2.52	3	4	5	6	7.87	9.76	11.73	12.87	14.76	16.50	18.27	22.01		
	mm	51	64	76	102	127	152	200	248	298	327	375	419	464	559		
H	inch	14.69	16.73	17.91	21.46	23.82	26.61	34.84	39.76	45.35	50.55	54.72	58.66	64.96	77.6		
	mm	373	425	455	545	605	676	885	1010	1152	1284	1390	1490	1650	1971		
W	inch	9.84	9.84	11.81	13.78	15.75	17.72	19.69	25.2	25.2	27.95	27.95	27.95	27.95	31.5		
	mm	250	250	300	350	400	450	500	640	640	710*	710*	710*	710*	800*		
WT.	KG	33	58	63	108	180	216	460	672	848	1080	1303	1963	2844	3935		
	LB	73	129	139	238	397	476	1014	1482	1870	2380	2872	4328	6270	8675		

