



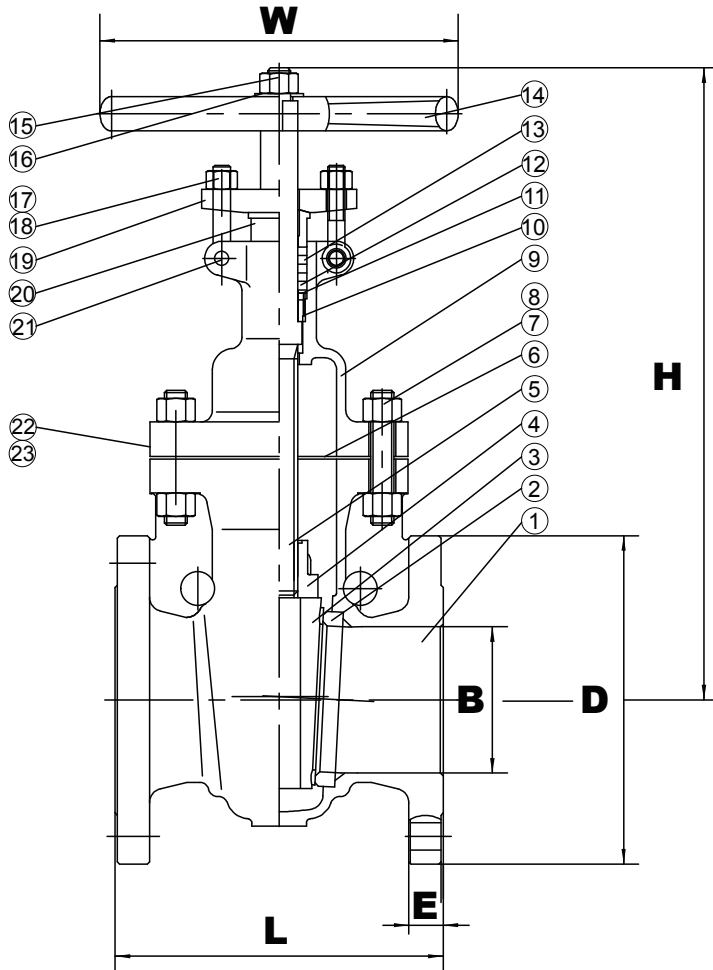
Class 150 NRS Gate Valve 2"-4"

FIG.# 61WCB8F

Non-Rising Stem, Flexible Wedge, Bolted Bonnet
Threaded or Welded Seat Ring, ASTM A216 WCB

STANDARDS COMPLIANCE:

Basic Design	API 600
Face to Face Dimensions	ANSI B 16.10
End Flange Dimensions	B16.5
Test Standard	API 598



MATERIAL LIST 2"-4"

No.	Part Name	Material
1.	Body	A216 WCB
2.	Seat	A105+STL6
3.	Wedge	A216 WCB+ER410
4.	Stem Nut	D-2
5.	Stem	A182 F6a
6.	Gasket	F304+Flexible Graphite
7.	Bolt	A193-B7
8.	Nut	A194-2H
9.	Bonnet	A216 WCB
10.	Nut	A276 410
11.	Gasket	A276 410
12.	Packing	F304+Graphite+C.I.
13.	Packing	Flexible Graphite+C.I.
14.	Handwheel	Ductile Iron
15.	Nut	Carbon Steel
16.	Gasket	Carbon Steel
17.	Eye Bolt	A193-B7
18.	Eye Nut	A194-2H
19.	Gland Flange	A216 WCB
20.	Gland	A276 410
21.	Pin	Carbon Steel
22.	Name Plate	AISI 304
23.	Rivet	AISI 304

Weights are approximate and construction is subject to change without notice.

DIMENSION & WEIGHT

SIZE	unit	2"	3"	4"
L	inch	7	8	9
	mm	178	203	229
B	inch	2	3	4
	mm	51	76	102
D	inch	5.98	7.48	9.02
	mm	152	190	229
E	inch	0.75	0.94	0.94
	mm	19	24	24
H	inch	12.36	15.08	17.05
	mm	314	383	433
W	inch	7.87	9.84	9.84
	mm	200	250	250
WT.	KG	16	31	47
	LB	35.27	68.34	103.62



Class 150 NRS Gate Valve 6"-12"

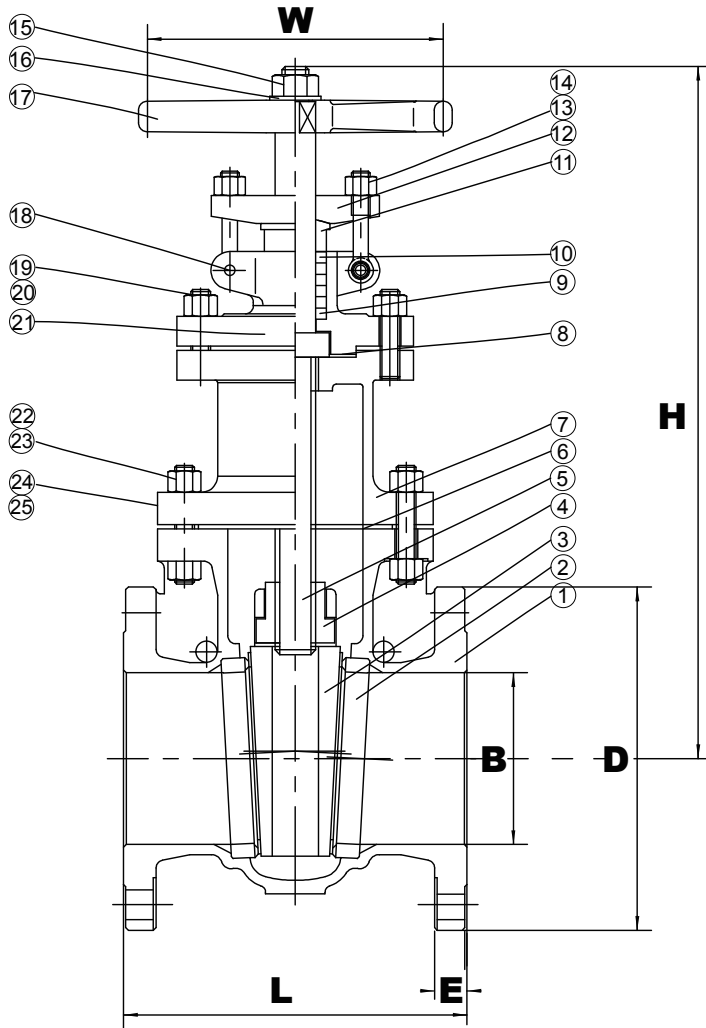


FIG.# 61WCB8F

*Non-Rising Stem, Flexible Wedge, Bolted Bonnet
Threaded or Welded Seat Ring, ASTM A216 WCB*

STANDARDS COMPLIANCE:

Basic Design	API 600
Face to Face Dimensions	ANSI B 16.10
End Flange Dimensions	B16.5
Test Standard	API 598



MATERIAL LIST 2"-4"

No.	Part Name	Material
1.	Body	A216 WCB
2.	Seat	A105+STL6
3.	Wedge	A216 WCB+ER410
4.	Stem Nut	D-2
5.	Stem	A182 F6a
6.	Gasket	F304+Flexible Graphite
7.	Bonnet	A216 WCB
8.	Gasket	F304+Flexible Graphite
9.	Gland Packing	F304+Graphite+C.I.
10.	Gland Packing	Flexible Graphite+C.I.
11.	Gland	A276 410
12.	Gland Flange	A216 WCB
13.	Eye Bolt	A193-B7
14.	Eye Nut	A194-2H
15.	Nut	Carbon Steel
16.	Gasket	Carbon Steel
17.	Handwheel	Ductile Iron
18.	Pin	Carbon Steel
19.	Bolt	A193-B7
20.	Nut	A194-2H
21.	Stuff Box	A216 WCB
22.	Bolt	A193-B7
23.	Nut	A194-2H
24.	Name Plate	AISI 304
25.	Rivet	AISI 304

Weights are approximate and construction is subject to change without notice.

DIMENSION & WEIGHT

SIZE	unit	6"	8"	10"	12"
L	inch	10.51	11.50	12.99	14.02
	mm	267	292	330	356
B	inch	5.98	7.99	10	12
	mm	152	203	254	305
D	inch	10.98	13.50	15.98	19.02
	mm	279	343	406	483
E	inch	1.02	1.14	1.20	1.26
	mm	26	29	30.5	32
H	inch	21.81	27.17	30.37	35.24
	mm	554	690	771.5	895
W	inch	11.81	13.78	15.74	17.71
	mm	300	350	400	450
WT.	KG	73	116	170	250
	LB	160.94	255.74	374.78	551.16

