

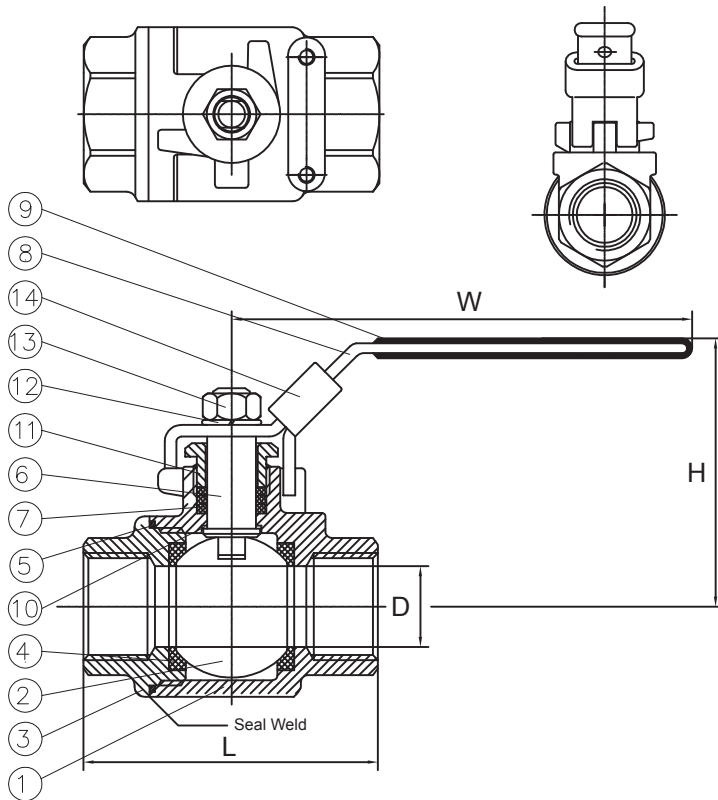
2000PSI 2PCS FP CAST STEEL BALL VALVE



FIG.# 4E-420WCB16(04)RRT-2F

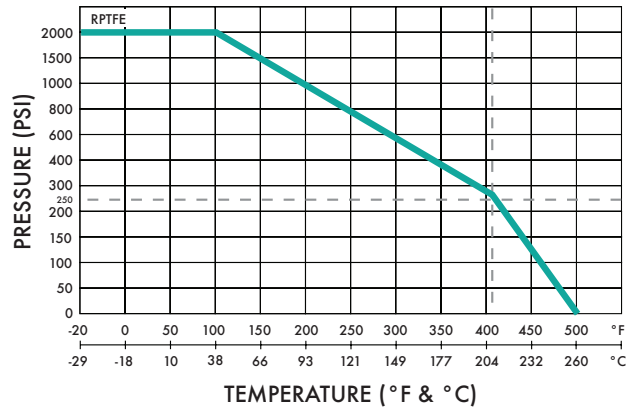
Sizes: 1/4" - 2" @2,000 PSI NSCWP

Seal-Welded available*, 2-piece Body, Full Port
 Blowout proof stem, Locking Handle, Nace
 NPT Threads Conforms to ANSI B1.20.1, BS21, DN 259/2999



MATERIAL LIST		
No.	Part Name	Material
1.	Body	A216 WCB
2.	Ball	SS 316
3.	End Cap	A216 WCB
4.	Seat	RPTFE
5.	Packing	RPTFE
6.	Stem	SS 316
7.	Stem Seal	PTFE
8.	Handle	SS
9.	Handle Cover	PVC
10.	Thrust Washer	RPTFE
11.	Gland Nut	SS
12.	Handle Washer	SS
13.	Handle Nut	A2-70
14.	Locking Pad	SS

Pressure Temperature Rating



Weights are approximate and construction is subject to change without notice.

DIMENSIONS

SIZE	unit	1/4"	3/8"	1/2"	3/4"	1"	1-1/4"	1-1/2"	2"
D	mm	11.5	12.5	15.0	20.0	25.0	32.0	38.0	49.0
	inch	0.453	0.492	0.591	0.787	0.984	1.260	1.496	1.929
L	mm	62.0	62.0	64.0	72.0	90.0	102.0	115.0	135.0
	inch	2.441	2.441	2.520	2.835	3.543	4.016	4.528	5.315
H	mm	53.0	56.0	62.0	65.0	72.0	77.0	94.0	101.0
	inch	2.087	2.205	2.441	2.559	2.835	3.031	3.701	3.976
W	mm	95.0	107.0	101.0	119.0	145.0	148.0	160.0	180.
	inch	3.740	4.213	3.976	4.685	5.709	5.827	6.299	7.087
Weight	kg.	0.33	0.32	0.40	0.57	0.95	1.40	2.17	3.80
	lbs.	0.728	0.705	0.882	1.257	2.105	3.086	4.784	8.378
Torque	N-m	4.00	6.00	8.00	14.00	24.00	32.00	40.00	60.00



*Please specify when placing your purchase order. 4E has both Seal-Welded and non-Seal Welded available in stock.