



3000PSI 2PCS FP WCB/CF8M BALL VALVE

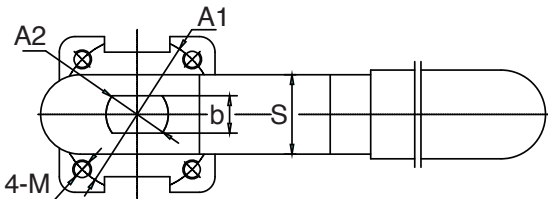
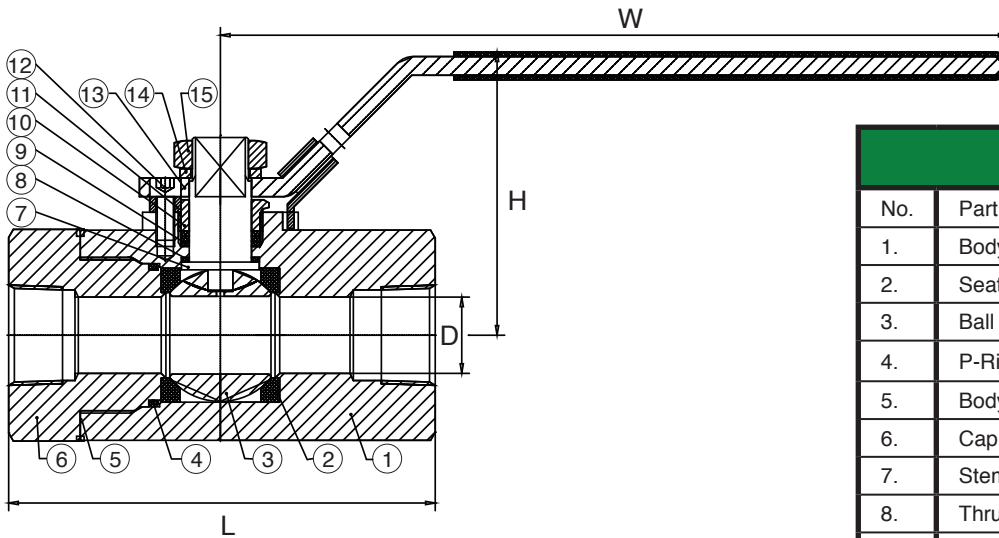
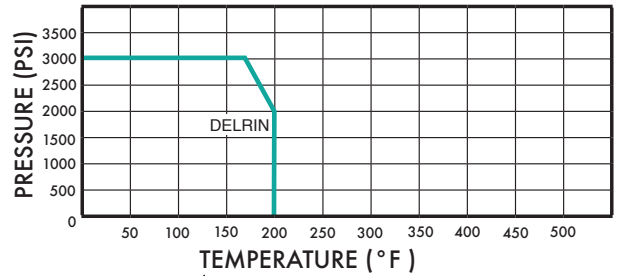
CF8M | WCB

FIG.# 4E-430C8M16DGT-2F | 4E-430WCB16DGT-2F

Sizes: 1/4" - 2" @3,000 PSI NSCWP

2-piece Body, Full Port, Blowout proof stem, Locking Handle, Fire Tested and Certified to API 607, Iso Mounting Pad, NPT Threads
Conforms to ANSI B1.20.1, SEAL WELDED

Pressure Temperature Rating



MATERIAL LIST

No.	Part Name	Material
1.	Body	A351 CF8M A216 WCB
2.	Seat	Delrin
3.	Ball	A182 F316
4.	P-Ring	Viton
5.	Body Seal	Graphite
6.	Cap	A351 CF8M A216 WCB
7.	Stem	A182 F316
8.	Thrust Washer	RPTFE
9.	Packing	Graphite
10.	Gland	Stainless Steel
11.	Pin Cover	Stainless Steel
12.	Pin Nut	A193 B7
13.	Handle	Stainless Steel
14.	Washer	Stainless Steel
15.	Nut	A2 - 70

Weights are approximate and construction is subject to change without notice.

DIMENSIONS

SIZE	unit	1/4"	3/8"	1/2"	3/4"	1"	1-1/4"	1-1/2"	2"
D	mm	10	10	13	19	25	32	38	48
	inch	0.39	0.39	0.51	0.74	0.98	1.25	1.49	1.88
L	mm	98	98	98	108	137	137	160	160
	inch	3.85	3.85	3.85	4.25	5.39	5.39	6.29	6.29
H	mm	60	60	60	71	88	94	115	138
	inch	2.36	2.36	2.36	2.79	3.46	3.70	4.52	5.43
W	mm	147	147	147	190	190	228	268	370
	inch	5.78	5.78	5.78	7.48	7.48	8.97	10.55	14.56
Weight	kg.	0.95	0.94	0.86	1.50	2.50	3.30	5.55	7.60
	lbs.	2.07	2.04	1.87	3.26	5.43	7.17	12.07	16.52
Torque	N-m	15	16	18	27	35	50	50	90

