



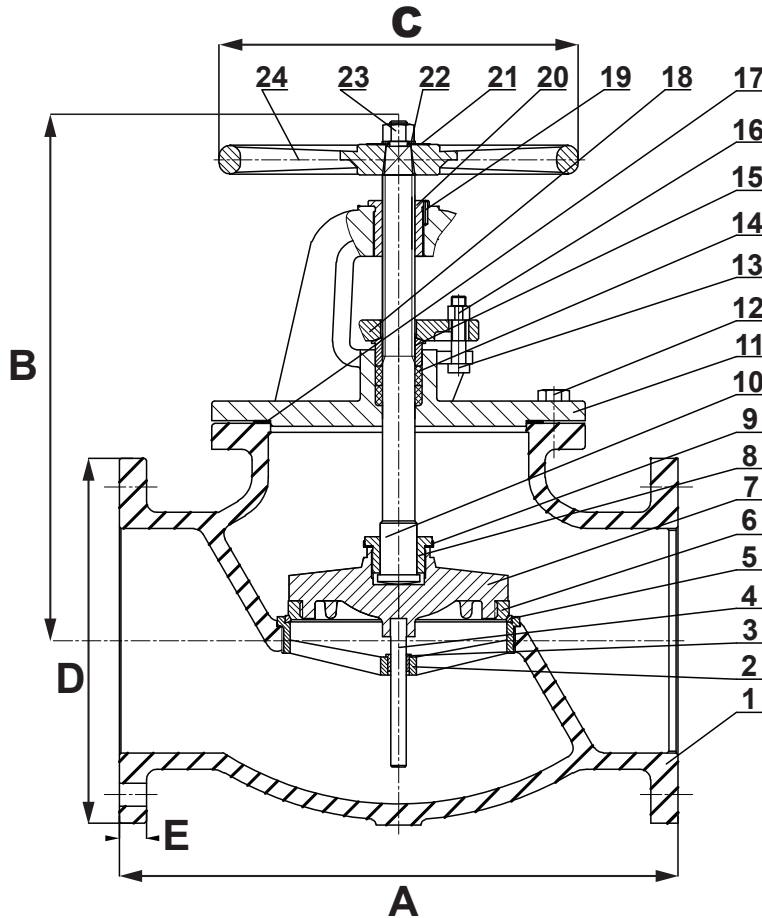
Class 125 GLOBE & ANGLE VALVE

STANDARDS COMPLIANCE:

1. Flange shape and drilling to specifications ANSI B 16.1 (125lb.)
2. Conforms to: MSS SP-85
3. Face to face dimensions conform to ANSI B16.1 (125lb.)

FIG.# 22CFE5F

125 lb. SWP-200 lb, WOG non-shock, Solid Disc, Bolted Bonnet, Gland Packed, Flanged Ends



MATERIAL LIST

No.	Part Name	Material
1.	Body	ASTM A126 B
2.	Seat	ASTM A126 B
3.	Gland Guide	ASTM B16
4.	Stem Guide	ASTM B16
5.	Seat Ring	ASTM B62
6.	Disc Ring	ASTM B62
7.	Disc	ASTM A126 B
8.	Swivel Nut	ASTM B584
9.	Stopper Ring	ASTM B16
10.	Stem	ASTM B16
11.	Bonnet	ASTM A126 B
12.	Bolts	ASTM A307 B
13.	Bolts	ASTM A307 B
14.	Packing	Graphite Non Asbestos
15.	Packing Gland	ASTM B584
16.	Nuts	ASTM A307 B
17.	Body Gasket	Graphite Non Asbestos
18.	Gland Follower	ASTM A536 65-45-12
19.	Screws	ASTM A307 B
20.	Stem Nut	ASTM B62
21.	Name Plate	AL Commercial
22.	Washer	ASTM A307 B
23.	Handwheel Nut	ASTM A307 B
24.	Handwheel	ASTM A126 B

DIMENSION & WEIGHT

SIZE	unit	2"	2-2/1"	3"	4"	5"	6"	8"	10"	12"
A	inch	8	8.5	9.5	11.5	13	14	19.5	24.5	27.5
	mm	203	216	241	292	330	356	495.3	622	698.5
B	inch	10.19	11.81	12.5	15.81	16.5	18.87	21.13	25.19	28.88
	mm	256	300	318	402	419	479	537	640	733
C	inch	7	7	8	10	12	12	13.69	16	18
	mm	178	178	200	254	300	300	348	406	457
D	inch	6	7	7.5	9	10	11	13.5	16	19
	mm	152.4	177.8	190.5	228.6	254	279.4	342.9	406.4	482.6
E	inch	0.63	0.69	0.75	0.94	0.94	1	1.13	1.19	1.25
	mm	15.9	18	19	23.88	23.88	25	28.6	30.2	32
Weight	LBS	43	47.4	57.3	90.4	133.4	191.8	310.9	480.6	630.5
	Kgs.	19.5	21.5	26	41	60.5	87	141	218	286

NOTE: 1. Sizes through 4" have bronze ASTM B 62 disc. 5" through 12" have iron disc with bronze disc face rings and brass pilots.
2. Weights are approximate and detail of construction are subject to change without notice.