



# 150PSI RESILIENT SEAT KNIFE GATE VALVE

FIG.# 4E-(Please see How to Order page)

Sizes: 2"-16" @ 150PSI

Operating: Manual Hand Wheel

Design and Manufacture: MSS SP-81

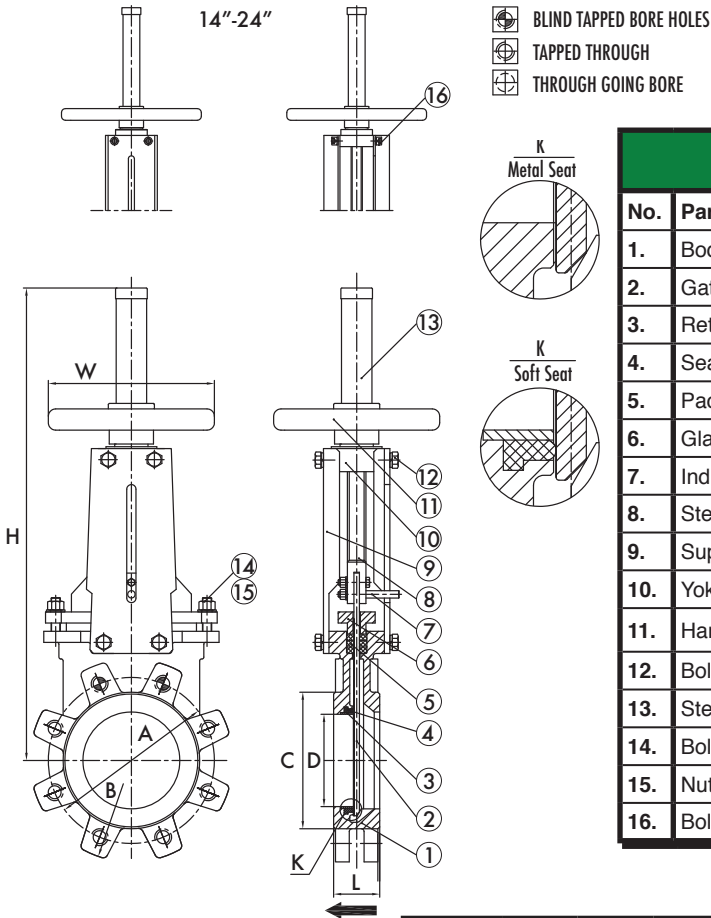
Flange Connection: ASME B16.5

Face to Face: MSS SP-81

Valve Seat Surface Working Temperatures	NBR/BUNA	-20 to 175°F	-29 to 121°C
	EPDM	-40 to 300°F	-40 to 149°C
	PTFE	-40 to 300°F	-40 to 149°C
	VITON	-20 to 400°F	-29 to 204°C

<b>Valve Seat:</b>
BUNA, EPDM, PTFE or VITON
<b>Actuation Option:</b>
Bevel Gear
Air Cylinder
Hydraulic Cylinder
or Motor Operated

Pressure / Temperatures	
NPS	Maximum Working Differential Pressures
2" - 10"	150 PSI
12" - 18"	101.5 PSI
20" - 24"	58 PSI



MATERIAL LIST				
No.	Part Name	Material		
1.	Body	A536-60-40-18	ASTM A351 CF8	ASTM A351 CF8M
2.	Gate	SS304	SS304	SS316
3.	Retainer Ring	SS304	SS304	SS316
4.	Seat	EPDM/NBR	VITON/EPDM	VITON/EPDM
5.	Packing	PTFE	PTFE	PTFE
6.	Gland	ASTM A216 WCB	ASTM A351 CF8	ASTM A351 CF8M
7.	Indicator	ASTM A276 420	ASTM A276 420	ASTM A276 420
8.	Stem	ASTM A276 F6a	ASTM A276 F304	ASTM A276 F316
9.	Support Yoke	ASTM A36	ASTM A36	ASTM A36
10.	Yoke	ASTM A216 WCB	ASTM A216 WCB	ASTM A216 WCB
11.	Handwheel	C.S/D.I	C.S/D.I	C.S/D.I
12.	Bolt	A2-70(A193 B8)	A2-70(A193 B8)	A4-70(A193 B8M)
13.	Stem	ASTM A36	ASTM A36	ASTM A36
14.	Bolt	ASTM A193 B8	ASTM A193 B8	ASTM A193 B8
15.	Nut	ASTM A194 8	ASTM A194 8	ASTM A194 8
16.	Bolt	C.S	C.S	C.S

Specifications subject to change without notice.



DIMENSIONS & WEIGHT												
SIZE	unit	2"	2-1/2"	3"	4"	5"	6"	8"	10"	12"	14"	16"
D	inch	2	2.5	3	4	5	6	8	10	12	14	16
	mm	50	65	80	100	125	150	200	250	300	336	385
L	inch	1.89	1.89	2.01	2.01	2.24	2.24	2.76	2.76	2.99	2.99	3.50
	mm	48	48	51	51	57	57	70	70	76	76	89
B	inch	6.10	7.01	7.68	8.54	9.76	11.02	13.39	15.75	18.90	20.87	23.43
	mm	155	178	195	217	248	280	340	400	480	530	595
A	inch	4.75	5.50	6.00	7.50	8.50	9.50	11.77	14.25	17.00	18.75	21.25
	mm	120.7	139.7	152.4	190.5	215.9	241.3	299.0	362.0	431.8	476.3	539.8
C	inch	3.63	4.13	5.00	6.02	7.17	8.50	10.63	12.75	15.00	16.25	18.50
	mm	92.1	104.8	127.0	153.0	182.0	215.9	270	323.8	381.0	412.8	469.9
H	inch	14.76	16.54	17.72	20.16	22.44	26.18	31.89	38.58	44.49	50.39	56.50
	mm	375	420	450	512	570	665	810	980	1130	1280	1435
W	inch	7.87	7.87	7.87	7.87	7.87	11.81	11.81	13.78	13.78	19.69	19.69
	mm	200	200	200	200	200	300	300	350	350	500	500
Weight	lbs.	16	18	25	27	34	47	64	102	146	203	276
	kgs.	7.26	8.16	11.34	12.25	15.42	21.32	29.03	46.27	66.22	92.08	125.19

# How to Order 4E Knife Valves



Please use 4E figure numbers to ensure accurate processing of your order. The figures show on this key covers basic features of 4E Knife Valves. A detailed description must accompany any special orders.

I      II      III      IV      V      VI      VII      VIII      IX

**4E - 2" -** 9 1 CF8 16 V P L - R HW

**4E - 2" - 91CF816VPL - RHW**

**Example:** Knife Valve, 150 psi, Cast 316 Body, Cast 316 Gate, PTFE Seat, Viton Packing, Lug Connection, Resilient Seat and Hand Wheel Operated

I	VALVE TYPE	
9	Knife Valve	

II	PRESSURE CLASS	
1	150 PSI	

III	BODY MATERIAL	
C8M	A351 CF8M	Cast 316
CF8	A351 CF8	Cast 304
DF5	A536	Cast Ductile Iron

IV	GATE MATERIAL	
04	304 Stainless Steel	
16	316 Stainless Steel	

V	SEAT MATERIAL	
P	PTFE	
E	EPDM	
B	BUNA	
V	VITON	

VI	PACKING MATERIAL	
P	PTFE	
G	GRAPHITE	

VII	END CONNECTION	
L	Lug	

VIII	TYPE	
M	Metal Seat	
R	Resilient Seat	

IX	OPERATION TYPE	
HW	Hand Wheel	
BG	Bevel Gear	
AC	Air Cylinder	
HC	Hydraulic Cylinder	
GO	Gear Operated/ Motor Operated	